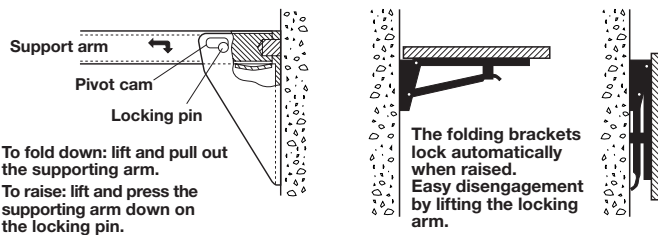


Brackets

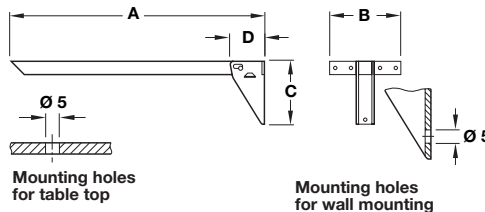
Note:

Load capacities are approximate figures and can change depending on application. These figures were determined by static testing – distributing the weight evenly over the surface, but not extending the length of the bracket.



Tikla folding table bracket

Medium-duty model



Load capacity to 200 kg (440 lbs) per pair

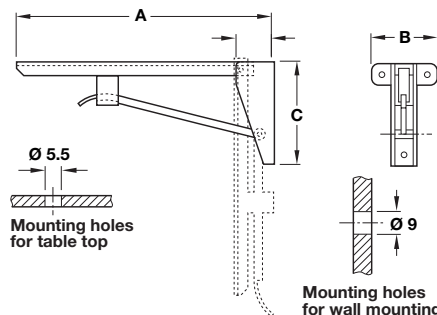
Material: steel; Color: brown lacquer

Dimensions				
A	C	D	B	Item No.
360	120	66	140	287.48.110
460	120	66	140	287.48.129
560	120	66	140	287.48.138

Packing: 2 pcs.

Hebgo folding table bracket

Light-duty model



Load capacity to 150 kg (330 lbs) per pair

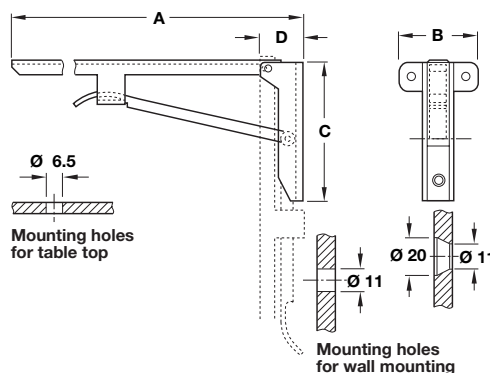
Material: steel; Color: gray primed

Dimensions				
A	C	D	B	Item No.
330	134	50	82	287.42.403
380	134	50	82	287.42.412
480	152	50	82	287.42.421
580	178	50	82	287.42.430
680	178	50	82	287.42.449

Packing: 1 pc.

Hebgo folding table bracket

Heavy-duty model



Load capacity to 500 kg (1100 lbs) per pair

Material: steel; Color: gray primed

Dimensions				
A	C	D	B	Item No.
420	180	60	115	287.43.400
580	220	60	115	287.43.428

Packing: 1 pc.

For table top



For wall-mounting

